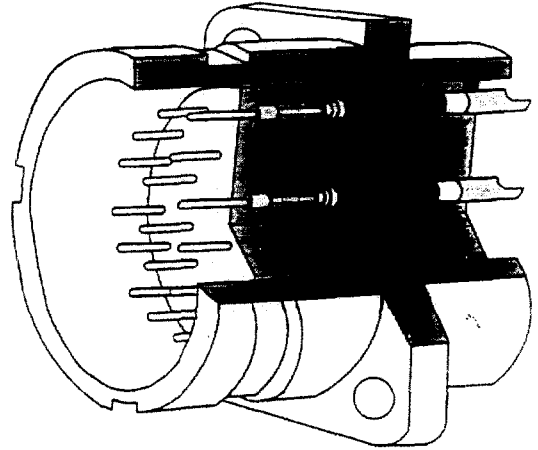
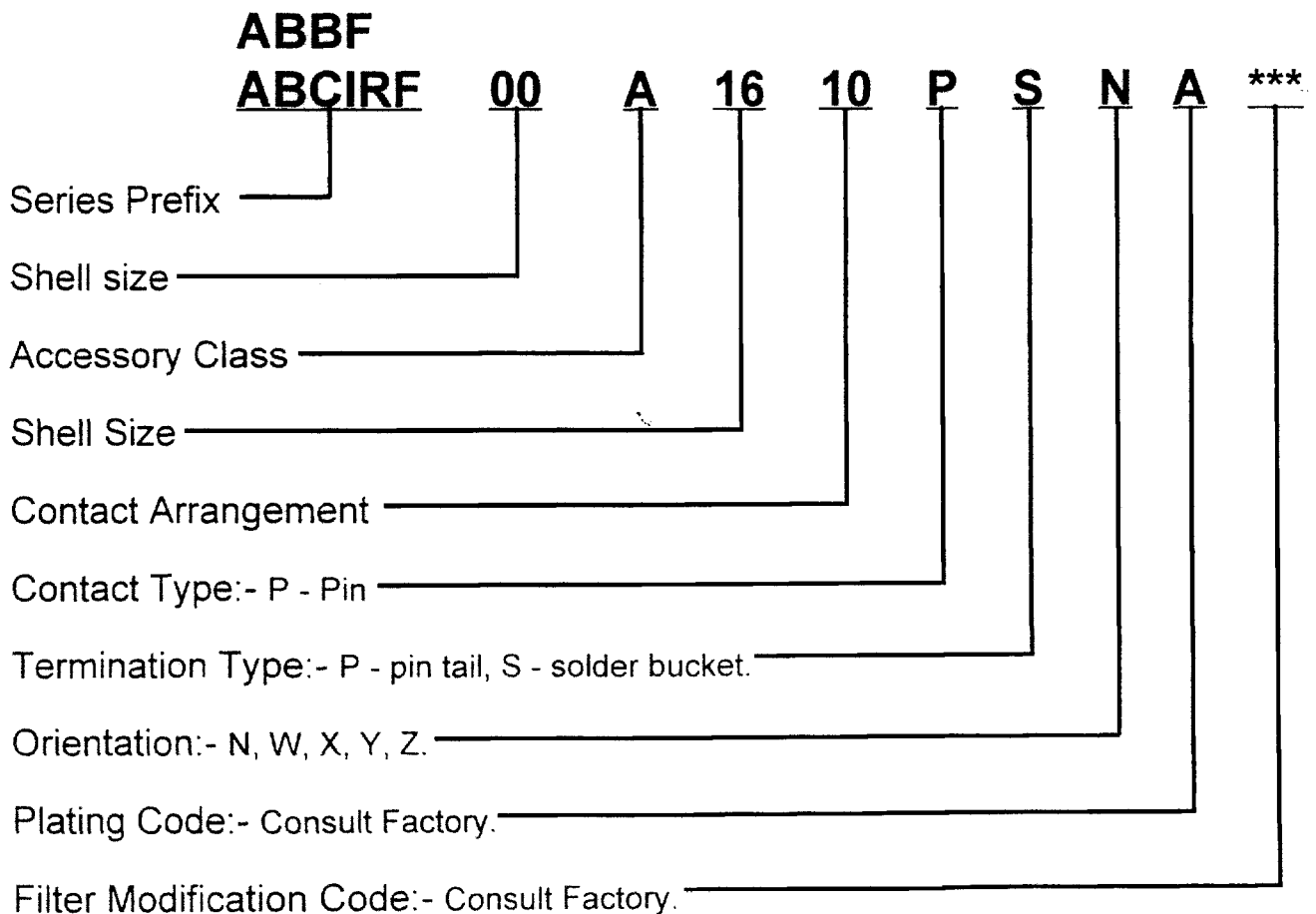


ABB MS/ABCIR Filter Connectors.

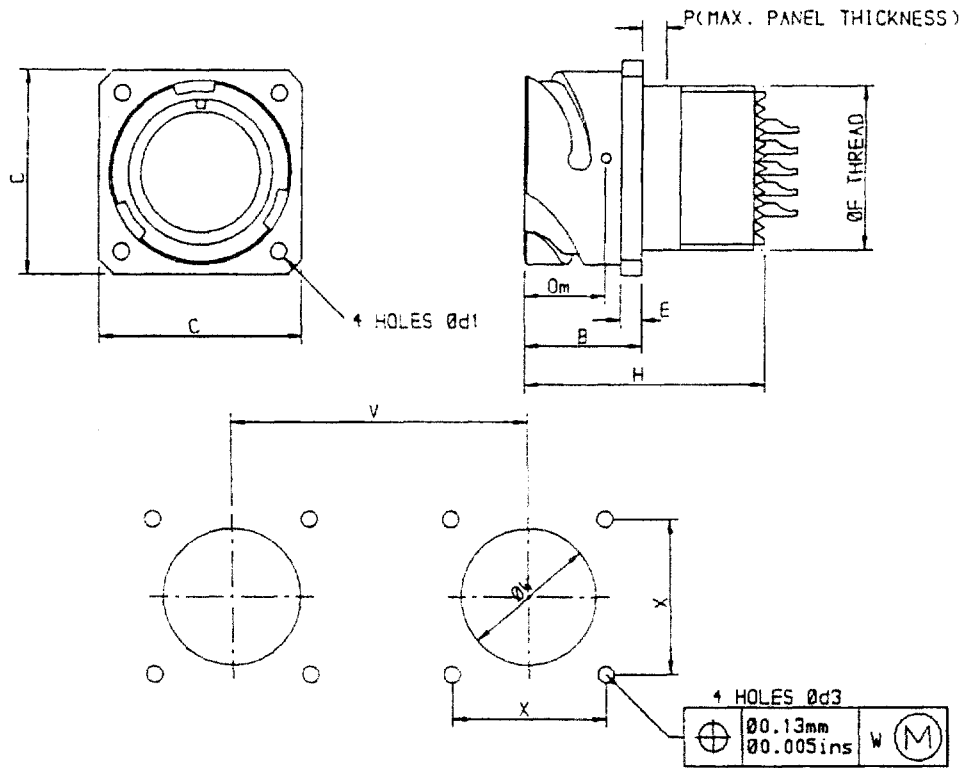
- * Intermateable with industry standard MS 5015 bayonet coupling connectors.
- * Tubular or planar technology.
- * Up to 61 contacts.
- * Higher reliability and greater durability with permanently encapsulated contacts.
- * ABCIRF connectors feature stainless steel pins at the critical wear points of the bayonet cam track.



Ordering Information



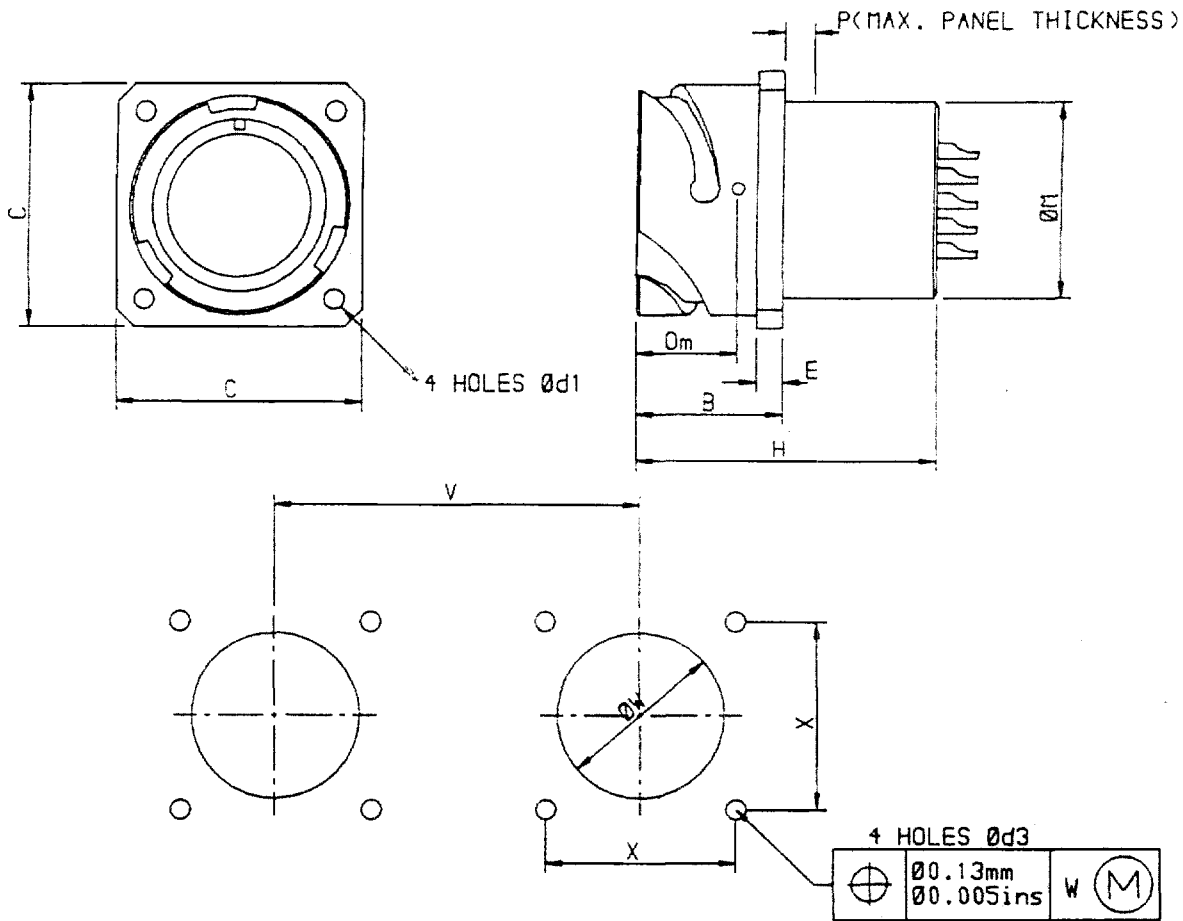
Style:-ABBFOOT/ABCIRFOOT Filter Receptacle. Square Flange Front Mounting with Accessory Thread.



Shell Size	B max	C max	d1	E max	F Thread class 2A	H max	P	Om min o'lap	d3 H13	V	W	X
10S	17.6	25.7	3.2	M4	5/8 x 20 UNEF	38.7	3.3	11.1	3.4	26.6	16.13	18.2
14S	18.0	30.3	3.2	M4	3/4 X 20 UNEF	38.7	3.3	11.1	3.4	31.6	19.3	23.0
16S	18.0	32.8	3.2	M4	7/8 X 20 UNEF	38.7	3.3	11.1	3.4	34.4	22.48	24.6
16	22.8	32.8	3.2	M4	7/8 X 20 UNEF	47.8	3.3	15.75	3.4	34.4	22.48	24.6
18	23.6	35.3	3.2	M4	1 x 20 UNEF	47.8	3.3	15.75	3.4	38.3	25.65	27.0
20	23.6	38.3	3.2	M4	1 1/8 X 18 UNEF	47.8	3.3	15.75	3.4	41.7	28.83	29.4
22	23.6	41.3	3.2	M4	1 1/4 X 18 UNEF	47.8	3.3	15.75	3.4	45.2	32.0	31.8
24	25.2	44.8	3.7	M4	1 3/8 X 18 UNEF	47.8	3.3	15.75	3.9	48.7	35.18	34.9
28	25.2	51.1	3.7	M5	1 5/18 X 18 UNEF	47.8	3.3	15.75	3.9	55.5	41.53	39.7
32	26.8	57.3	4.3	M5	1 7/8 X 16 UNEF	47.8	3.3	15.75	4.5	62.4	47.88	44.5
36	26.8	63.8	4.3	M5	2 1/16 X 16 UNEF	47.8	3.3	15.75	4.5	69.0	52.65	49.2

All dimensions in mm unless otherwise stated

Style:-ABBFOOA/ABCIRF00A Filter Recptacle. Square Flange Front Mounting without Accessory.



Shell size	B max	C max	d1	E max	M max	H max	P	Om min o'lap	d3 H13	V	W	X
10SL	17.6	25.7	3.2	3.0	16.1	38.7	3.30	11.1	3.4	26.6	16.13	18.2
14S	18.0	30.3	3.2	3.4	19.2	38.7	3.30	11.1	3.4	31.6	19.3	23.0
16S	18.0	32.8	3.2	3.4	22.4	38.7	3.30	11.1	3.4	34.4	22.48	24.6
16	22.8	32.8	3.2	3.4	22.4	47.8	3.30	15.75	3.4	34.4	22.48	24.6
18	23.6	35.3	3.2	4.2	25.6	47.8	3.30	15.75	3.4	38.3	25.65	27.0
20	23.6	38.3	3.2	4.2	28.75	47.8	3.30	15.75	3.4	41.7	28.83	29.4
22	23.6	41.3	3.2	4.2	31.92	47.8	3.30	15.75	3.4	45.2	32.00	31.8
24	25.2	44.8	3.7	4.2	35.10	47.8	3.30	15.75	3.9	48.7	35.18	34.9
28	25.2	51.1	3.7	4.2	41.4	47.8	3.30	15.75	3.9	55.5	41.53	39.7
32	26.8	57.3	4.3	4.2	47.8	47.8	3.30	15.75	4.5	62.4	47.88	44.5
36	26.8	63.8	4.3	4.2	52.6	47.8	3.30	15.75	4.5	69.0	52.65	49.2

All dimensions in mm unless otherwise stated